

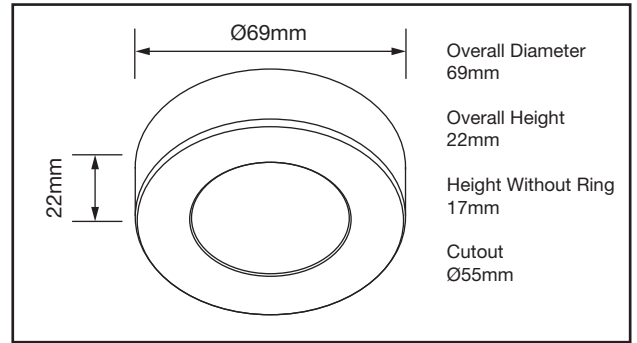
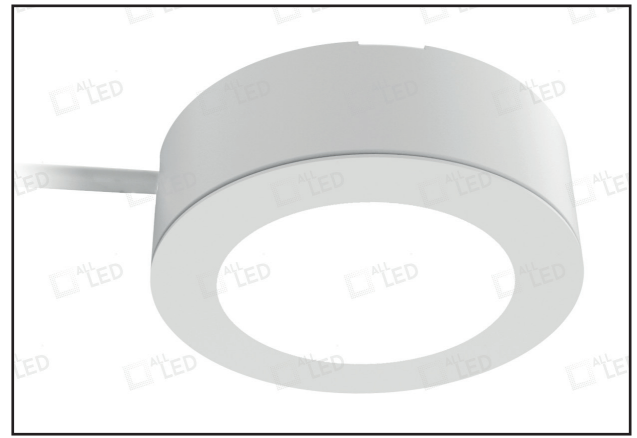
## ACL240\*\*/CCT

2.3W 240V CCT Under Cabinet Light

### SWIFT CCT

### PRODUCT FEATURES

- 240V Direct To Mains
- CCT Selectable (3000K / 4000K / 6000K)
- Pre-Wired With 1 Metre Flexible Cable
- Side & Rear Entry Cable Design
- Surface Mounting Pattress Included
- Surface or Recess Mounting Options
- Low Power, High Output



### TECHNICAL SPECIFICATIONS

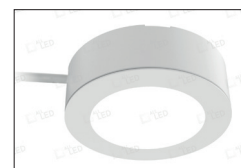
PRODUCT CODE	ACL240**/CCT
CCT (Kelvin)	3000K / 4000K / 6000K
Luminous Flux (LM)	245lm / 260lm / 255lm
Useful Luminous Flux (LM)	245lm / 260lm / 255lm
Beam Angle (°)	110°
SDCM	<6
CRI	>80
Peak Intensity (cd)	83cd / 89cd / 86cd
Operating Voltage (V)	220-240V AC
Max Output Power (W)	2.3W
Operating Current (A max)	0.020A
Power Factor (Pf)	< 0.488
Class	II
Body Material	Steel
Cut Out	55mm
Frame Colour	Carbon Black / Satin Nickel / Polar White
Switching Cycles	>50,000
Ingress Protection	IP20
Ambient Operating Temperature (°C)	-20°C~+40°C
Input Frequency (Hz)	50Hz
Guarantee	3 Years
Dimmable	No
Cable Length	1M
Lifetime (L70 B50)	20,000 Hrs
R9 Colour Rendering Index Value	>80
Survival Factor	80%
Lumen Maintenance Factor	95%
Displacement Factor	0.95
Flicker Metric (PstLM)	< 1.0
Stroboscopic Effect Metric (SVM)	< 0.4



**Satin Nickel**  
ACL240SN/CCT



**Carbon Black**  
ACL240BK/CCT



**Polar White**  
ACL240WH/CCT

